

rpb RADEX AIRLINE FILTER

INSTRUCTION MANUAL



ENGLISH

2



NEDERLANDS

21



Employers: Read this manual and the flow control device Instruction Manual and carry out the Employer Responsibilities (page 8).

Product users: Read this manual and the flow control device Instruction Manual and follow the Product User Safety Instructions (page 9).

Manuals are regularly updated. Make sure the most recent version of manual is available to all users for reference.

Current version of manual and other languages: www.rpbsafety.com/product/radex-airline-filter/#radex-airline-filter

Protecting you for life's best moments.

rpb


RADEX AIRLINE FILTER


CONTENTS

■ EXPLANATION OF SIGNAL WORDS AND SYMBOLS	2
■ INTRODUCTION	3
■ IMPORTANT SAFETY INFORMATION	
□ PROTECTION PROVIDED AND LIMITATIONS	4
□ AIR SOURCE, FITTINGS, AND PRESSURE	5
□ EMPLOYER RESPONSIBILITIES	8
□ PRODUCT USER SAFETY INSTRUCTIONS	9
■ SETUP AND CARE	10
■ PARTS AND ACCESSORIES	18
■ WARRANTY AND LIABILITY STATEMENT	20
■ NEDERLANDS	21

EXPLANATION OF SIGNAL WORDS AND SYMBOLS

The following signal word and safety symbols are used in this manual and product labeling:

 **WARNING** **WARNING** indicates a hazardous situation that, if not avoided, could result in death or serious injury.

 **DANGER** **DANGER** Indicates a hazardous situation that, if not avoided, will result in death or serious injury.



Read the Instruction Manual.

Additional copies of RPB® manuals can be found at www.rpbsafety.com.

RPB® Safety LLC is an ISO9001 certified company.

INTRODUCTION

The RPB® Radex® Filter System is designed to filter compressed breathing air to remove most contaminants from the breathing air in supplied air respirator assemblies. Features such as advanced filter cartridges and the optional micro mist filter will make breathing better and help protect you for life's best moments.

This product must be inspected and maintained in accordance with this instruction manual at all times.

See PROTECTION PROVIDED AND LIMITATIONS (page 4) for details.

RPB® SAFETY - GLOBAL HEADQUARTERS

2807 Samoset Rd, Royal Oak, MI 48073, USA.

T: 1-866-494-4599 F: 1-866-494-4509 E: sales.us@rpbsafety.com rpbsafety.com

RPB® SAFETY - APAC

1 Ivan Jamieson Place, Christchurch Airport, Christchurch 8053 New Zealand.

T: +64-3-357-1761 F: +64-3-357-1763 E: sales.nz@rpbsafety.com rpbsafety.com

RPB® SAFETY - EMEA

Unit 2, Teardrop Industrial Park, London Road, Swanley, BR8 8TS, United Kingdom

T: +44-800-689-5031 E: sales@rpbsafety.co.uk rpbsafety.com

Copyright ©2019 RPB Safety, LLC. All rights reserved. All materials contained on this website are protected by United States copyright law and may not be reproduced, distributed, transmitted, displayed, published or broadcast without the prior written permission of RPB Safety, LLC. You may not alter or remove any trademark, copyright or other notice from copies of the content.

All trademarks, service marks, and logos used in this publication, both registered and unregistered, are the trademarks, service marks, or logos of their respective owners. All rights in the RPB Intellectual Property contained in this publication, including copyright, trademarks, service marks, trade secret, and patent rights are reserved. RPB Intellectual Property means any patent, patented articles, patent applications, designs, industrial designs, copyrights, software, source code, database rights, moral rights, inventions, techniques, technical data, trade secrets, know-how, brands, trademarks, trade names, slogans, logos, and any other common law and proprietary rights, whether registered or unregistered anywhere in the world, that are owned by, developed in whole or in part by, or licensed by RPB Safety, LLC.

For technical assistance contact our Customer Service Department at 1-866-494-4599 or email: customerservice@rpbsafety.com

Form #: 62

Rev: 10

RADEX AIRLINE FILTER

IMPORTANT SAFETY INFORMATION

WARNING

Improper selection, use, or maintenance of respiratory protection products can result in injury; life threatening delayed lung, skin or eye disease; or death. This product is intended for occupational use in accordance with applicable standards or regulations for your location, industry, and activity (see Employer Responsibilities, page 8.) Familiarity with standards and regulations related to the use of this protective equipment is recommended, even if they do not directly apply to you. If self-employed or if used in a non-occupational setting, refer to Employer Responsibilities and Product User Safety Instructions. Go to rpbsafety.com/importantsafetyinformation/ for helpful links to OSHA, EN and AS/NZS standards, and other content.

Employers: Read this manual and the flow control device Instruction Manual and carry out the Employer Responsibilities (page 8).

Product users: Read this manual and the flow control device Instruction Manual and follow the Product User Safety Instructions (page 9).

Check website for updates. Product manuals are regularly updated.

Visit www.rpbsafety.com/resources/ for the most recent version of this manual before using the product.

PROTECTION PROVIDED AND LIMITATIONS

PROTECTIONS PROVIDED

The RPB® Radex® filter has 6 stages of filter media to help protect the user from solid or liquid particulates, such as dusts, mists, or odors 0.5 micron or larger, as well as an optional micro mist filter and mainline prefilter.

LIMITATIONS

The Radex® Airline Filter Part No. 04-900 does not remove Carbon Monoxide and other toxic gases/fumes from the compressed air.

HAZARD LIMITATIONS

The RPB® Radex® is NOT FOR USE if the air source being supplied to the Radex® has any of these conditions:

- The air source atmosphere contains less than 19.5% oxygen.
- The air source contains hazardous gases (e.g., carbon monoxide).
- The temperature is outside the range of 14°F to 140°F (-10°C to +60°C).

STANDARDS AND REGULATIONS

The Radex® Filtration system can help meet requirements for breathing air quality. Refer to the following standards and regulations, depending on the location the Radex® is being used, for more information:

- ANSI/Compressed Gas Association Commodity Specification for Air, G-7.1-1989.

- Federal OSHA 29 CFR 1910.134 "Compressor Operations for Breathing Air"
- Army Corps of Engineers EM385-1-1, Section 30.F.04.
- EN 12021 :2014 Respiratory equipment. Compressed gases for breathing apparatus.
- AS/NZS 1715:2009 Selection, use and maintenance of respiratory protective equipment.

AIR SOURCE, FITTINGS, AND PRESSURE

AIR SOURCE

Locate the air source in a clean air environment. Make sure the air source is somewhere that vehicles, forklifts, and other machinery are not running near the air inlet, as this will cause carbon monoxide to be drawn into your air supply.

The Air supplied to the Radex® Airline Filter should not exceed 140 degrees Fahrenheit (60 degrees Celsius). When an oil lubricated air compressor is used and it gets excessively hot, it can potentially create Carbon Monoxide.



DANGER

Do not connect the Radex®'s air supply hose to nitrogen, toxic gases, inert gases or other non-breathable air sources. Check the air source before using the airline filter. This apparatus is not designed for use with mobile air supply systems i.e. cylinders or ambient air pumps. Failure to connect the supply hose to the proper air source could result in serious injury or death.

ADDITIONAL EQUIPMENT

Always use suitable aftercoolers/dryers. Refer to the compressor manufacturer/instruction manual for recommendations on setting up the compressor for breathing air and for suitable in-line air-purifying sorbent beds and filters. The compressor filters and oil level should be checked daily and changed during regular scheduled maintenance or when contaminated.

REQUIRED AIR QUALITY MONITORING

- Air quality must be tested at the time of initial setup from the point of attachment (the Radex® Airline Filter outlet to the respirator).
- Breathing air quality should continuously monitored and/or be tested for at least the following air components (check your local standards for requirements, see page 4):
 - O2 - Oxygen
 - CO2 - Carbon Dioxide
 - CO - Carbon Monoxide
 - H2O - Water (Moisture Content)
 - Hydrocarbons (Oil Mist)
 - Total Particulates
- Retesting the air quality is recommended If the compressor is moved or should the compressor location or environment significantly change.

RADEX AIRLINE FILTER


AIR SOURCE, FITTINGS, AND PRESSURE CONTINUED

A GX4® Gas Monitor, Part No. 08-400, is recommended to monitor Carbon Monoxide, Oxygen, and Hydrogen Sulfide. *(Other gas sensors may become available in the future.)*

This can help a system comply with OSHA regulation 1910.134(i)(7), EN 12021, and AS/NZS 1715.

BREATHING AIR PRESSURE

The air pressure must be continually monitored at the point of attachment. Air pressure must be read from a reliable pressure gauge, while the respirator has air flowing through it, as required by applicable standards and regulations. Refer to the instruction manual for the respirator for the Breathing Air Pressure Table to determine the correct air pressure settings for your setup.

 WARNING The air pressure supplied to the Radex® Airline Filter should not exceed 125 psi (8.6 Bar). Exceeding this air pressure could cause the regulator to not allow enough air into the unit to work properly or cause the unit to explode.

TYPICAL SUPPLIED AIR SYSTEM

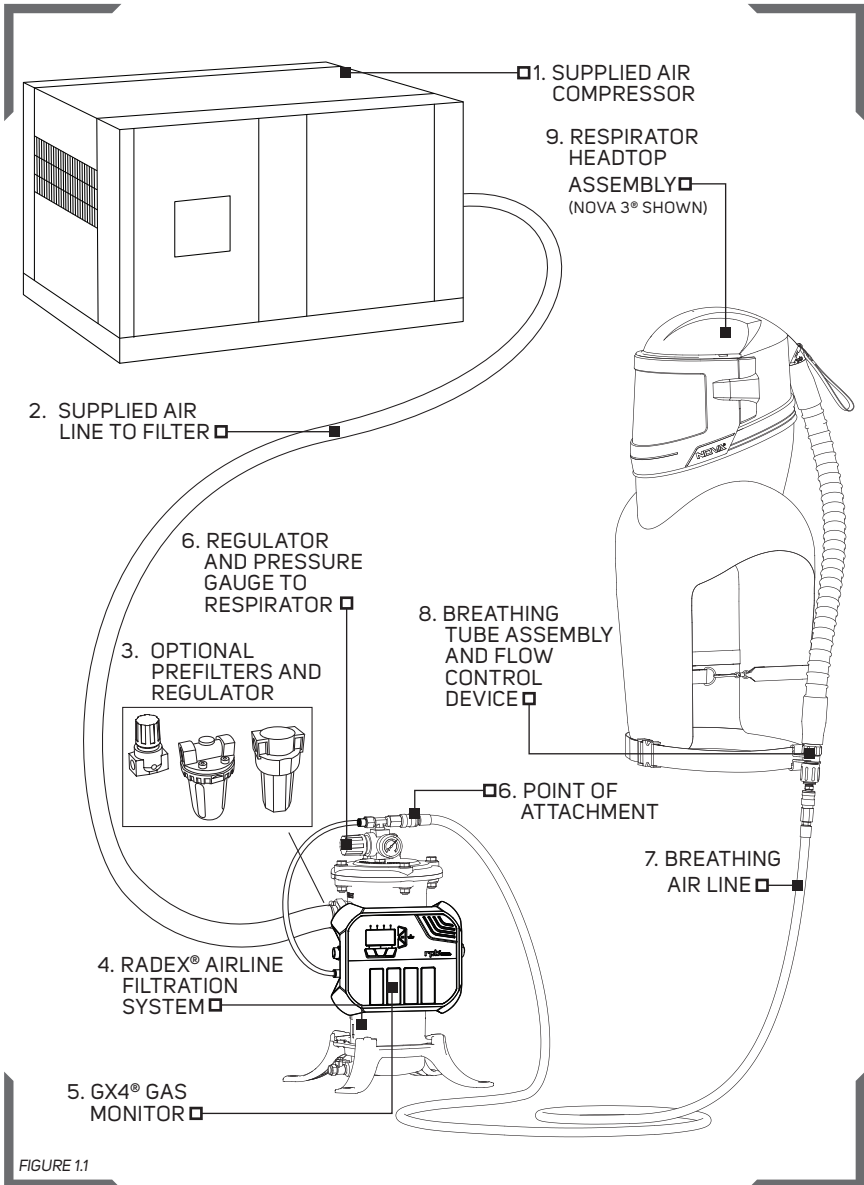


FIGURE 1.1

EMPLOYER RESPONSIBILITIES

Your specific responsibilities may vary by location and industry, but in general RPB® expects that employers will:

■ **Follow all applicable standards and regulations for your location, industry, and activity.**

Depending on your location and industry, a number of standards and regulations may apply to your selection and use of respirators and other personal protective equipment. There also may be requirements specific to particular contaminants, e.g. silica (see rpbsafety.com/importantsafetyinformation/ for more information), asbestos, organic pathogens, etc. Know which requirements apply to your location and industry.

■ **Have appropriate safety programs in place.**

Have and follow:

- A workplace safety program.
- A written respiratory protection program may be required in accordance with applicable standards and regulations.

■ **In accordance with the above,**

■ **Perform a hazard analysis and select appropriate equipment for each activity.** A

hazard analysis should be performed by a qualified person. Controls should be in place as appropriate and a qualified person should determine what kind of respiratory, face and eye, head, and hearing protection is appropriate for the intended activities and environments of use. (For example, select a respirator appropriate to the specific airborne hazards, with consideration of workplace and user factors and with an Assigned Protection Factor (APF) that meets or exceeds the required level for employee protection, select welding face and eye protection appropriate to the type of welding to be done, etc.)

As applicable, check your workplace safety program, respiratory protection program, and standards and regulations for your activity or industry for related protection requirements, and see this manual (Protection Provided and Limitations, page 4), the flow control device, and the respirator head-top Instruction Manual for product specifications.

■ **Be sure employees are medically qualified to use a respirator.**

Have a qualified physician or other licensed health care professional (PLHCP) perform medical evaluations using a medical questionnaire or an initial medical examination per OSHA 29 CFR 1910.134, EN 12021, AS/NZS 1715 or local standards as required.

■ **Train employees in the Radex®'s use, maintenance, and limitations.**

Appoint a qualified individual who is knowledgeable about the RPB® Radex® per local standards as required to provide training:

Ex.: ANSI/ASSE Z88.2 Section 8.1 Qualifications of the Respirator Trainer. Anyone providing respirator training shall:

- a) be knowledgeable in the application and use of the respirator(s);
- b) have practical knowledge in the selection and use of respirator(s) and work practices at the site;
- c) have an understanding of the site's respirator program; and
- d) be knowledgeable of applicable regulations.

Train each Radex® user in the product's use, application, inspection, maintenance, storage, and limitations in accordance with the content of this Instruction Manual and the approved flow control device and respirator head-top Instruction Manuals and standard or regulatory requirements. Ensure that each intended user reads all of these manuals.

■ **Ensure that equipment is properly set up, used, and maintained.**

Make sure that equipment is properly set up, inspected, used, and maintained, including changing the air filter cartridge per the recommendations in the maintenance section of this manual.

■ **Measure and monitor airborne contaminants in the work area.**

Measure and monitor airborne contaminant levels in the work area in accordance with applicable requirements.

■ **Make sure the area is ventilated and monitored:**

Ventilate and monitor the air in the work area as required by local standards and regulations.

■ **If you have any questions, contact RPB®.**

■ Call Customer Service Department at:

Tel: 1-866-494-4599

Email: customerservice@rpbsafety.com

Web: rpbsafety.com

PRODUCT USER SAFETY INSTRUCTIONS

BEFORE INITIAL USE - BE TRAINED

Do not use this airline filter until you have read this manual, the flow control device and respirator head-top Instruction Manuals (additional copies available at www.rpbsafety.com) and been trained in the respirator's use, maintenance, and limitations by a qualified individual (appointed by your employer) who is knowledgeable about the RPB®Radex®.

MAKE SURE THE SYSTEM IS READY FOR USE

Inspect all components daily for signs of damage or wear and tear that may reduce the level of protection originally provided. Remove any damaged component or product, as the filter is a pressure vessel and damage to the vessel could cause fatigue that could result in serious injury or death. Do not attempt to weld the filter unit.

Make sure that the filter is correctly assembled in the configuration that suits your application. Never use the filter without all components in place. Verify that you have all required components for the Radex® airline filter system, such as: pressure relief valve, regulator, drain valve, filter canister and the lid is tightened securely. Air will be released when pressure in the filter exceeds 150 psig (10.3 Bar). If the hole is plugged with something other than the pressure relief valve, excess pressure could cause the vessel to explode, potentially resulting in serious injury.

RADEX AIRLINE FILTER

PRODUCT USER SAFETY INSTRUCTIONS CONTINUED

Use only authentic RPB® brand parts and components. Using incomplete or inappropriate equipment, including the use of counterfeit or non-RPB® parts, can result in inadequate protection and could reduce the filtration capabilities. Do not modify or alter any part of this product.

VERIFY THAT YOU HAVE THE APPROPRIATE EQUIPMENT FOR YOUR ACTIVITY

Verify that the Radex® provides appropriate protection for your activity. As applicable, check your workplace safety program, respiratory protection program, and standards and regulations for your activity or industry. (See PROTECTION PROVIDED AND LIMITATIONS, page 4.)

BEFORE CONNECTING A RESPIRATOR TO THE RADEX®:

Verify airborne contaminants are within recommended limits for respirator use:

- Determine the type and level of contamination. Verify that airborne contaminant concentrations do not exceed those allowed by applicable regulations and standards for supplied air respirators.

Make sure the work area is ventilated, and the work area and the breathing air supply are monitored:

- Make sure that the area is well ventilated and that regular air samples are taken to confirm the atmosphere stays within the levels recommended by OSHA, EN, AS/NZS and other governing bodies and standards. It is recommended to use a GX4® Gas Monitor for monitoring breathing air supply coming from the Radex®. Follow the GX4® Gas Monitor Instruction Manual.

If you have any questions, ask your employer.

SETUP AND CARE

Install the Radex® in a location that is within the recommended temperature range of 14°F to 140°F (-10°C to +60°C) to protect the unit and to keep the air supply below 140°F (60°C). Always mount the Radex® Airline Filter on a secure level surface. It is recommended to bolt the stand to the ground to prevent it from tipping over or mount it on a sturdy wall.

BASE MOUNT - GROUND

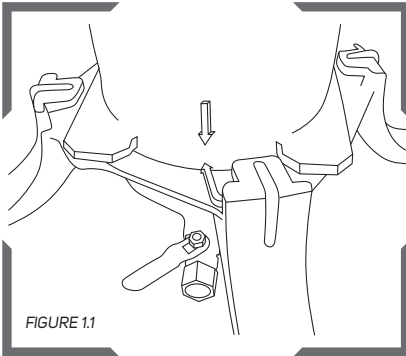


FIGURE 1.1

To connect the base mount align the arrows on the base mount with the arrows on the filter.

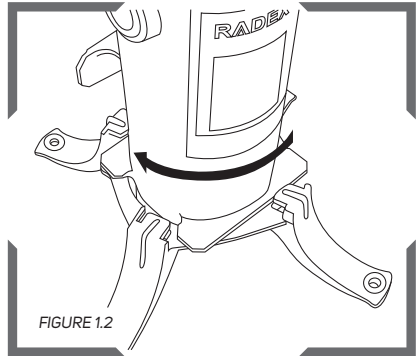


FIGURE 1.2

The base mount will only fit in two positions, the arrows must align before locking. Turn the filter in a clockwise direction and lock into position. You will hear a click when the base is in the final position.

BASE MOUNT - WALL

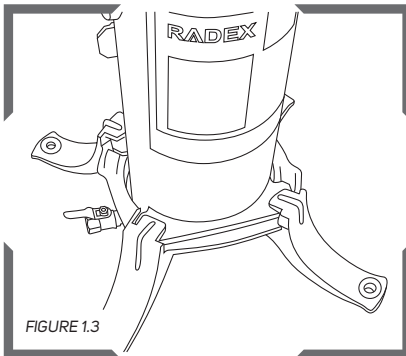


FIGURE 1.3

Using the holes in the legs of the base mount, bolt the unit to the ground, preferably concrete, to prevent tipping over and causing injury or damage to the unit. Use 3/8" (10mm) bolts or lag screws to secure the base to the ground.

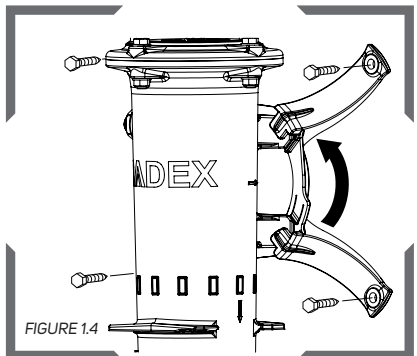


FIGURE 1.4

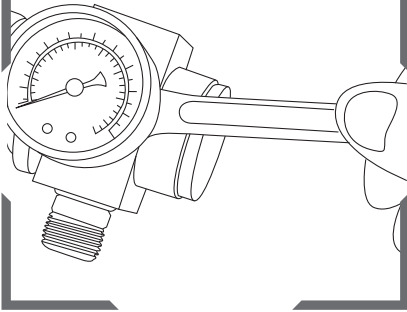
The base mount can also be used to mount the filter to a sturdy wall. Use bolts to secure the base mount to the wall through the holes in the legs. Secure the Radex to the base mount once secured to the wall. The bolts/screws must be able to hold the approximate 20lbs. weight of the unit.

RADEX AIRLINE FILTER

SETUP AND CARE CONTINUED

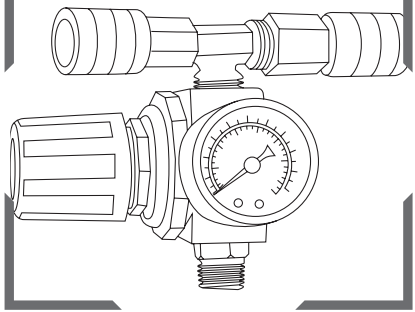
04-900 ASSEMBLY - 2 OUTLET MANIFOLD

FIGURE 2.1



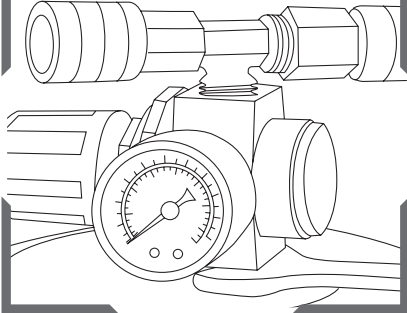
To assemble the pressure regulator, thread the pressure gauge into the body and tighten using an 11mm wrench.

FIGURE 2.2



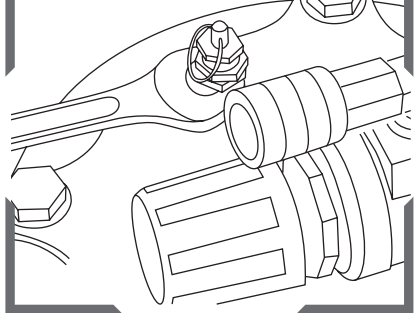
Connect the quick disconnect coupler and brass cap to the 3/8" tee into the top of the pressure regulator and tighten. Tighten the regulator assembly before mounting onto the Radex® Airline Filter. Use thread sealant on all fittings.

FIGURE 2.3



Fit the complete regulator assembly onto the top of the Radex® Airline Filter lid using a 17mm wrench.

FIGURE 2.4



Fit the pressure relief valve and tighten.

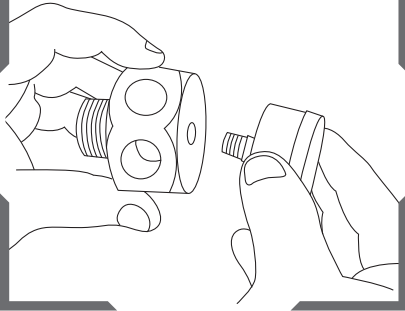


WARNING

The pressure relief valve must be connected to protect the Radex Airline Filter from over pressurizing. If the hole is plugged with something other than the pressure relief valve, excess pressure could cause the vessel to explode.

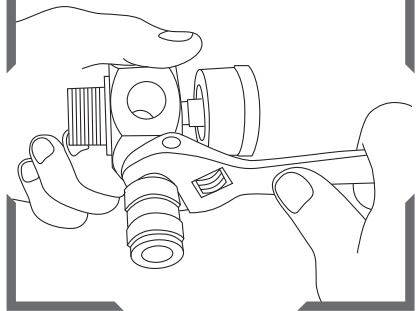
04-960 AND 04-964-RZ ASSEMBLY - 6 OUTLET MANIFOLD

FIGURE 3.1



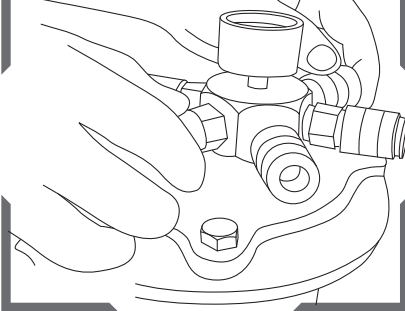
To assemble the Six Outlet Manifold, first thread the 04-915 Pressure Gauge into the 04-965 6 Outlet Manifold and tighten.

FIGURE 3.2



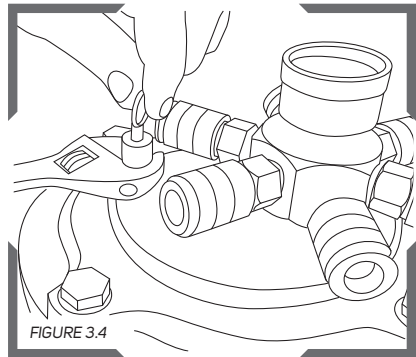
Thread all six Couplers into the 04-965 Manifold and tighten.

FIGURE 3.3



Thread the completed Six Outlet Manifold assembly into filter lid and tighten.

FIGURE 3.4



Thread the 04-916 Pressure Relief Valve into the lid and tighten.

RADEX AIRLINE FILTER

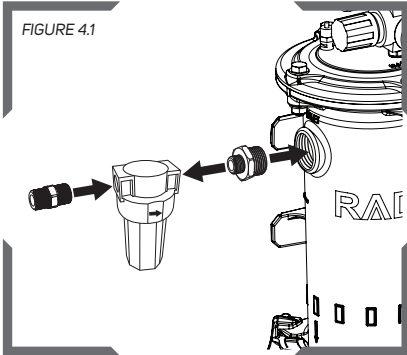
SETUP AND CARE CONTINUED

OPTIONAL ATTACHMENTS

The Micro Mist Filter (04-925), Mainline Prefilter (04-927), Auto Drain Unit (04-924) and Super High Flow Regulator (04-962) are optional attachments for environments that are humid or have excessive moisture, or have oil or other fine particulates in the air. They can all be used together or individually.

FITTING THE MICRO MIST FILTER

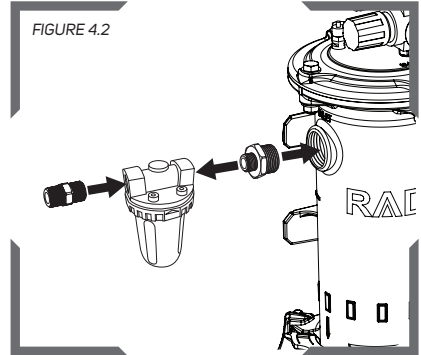
FIGURE 4.1



To fit the Micro Mist Filter, first thread the reducing nipple 04-926 into the micro mist filter then thread it into the filter inlet and tighten, ensure the micro mist filter is positioned straight so it drains moisture from the collection bowl. Thread in the 1/2" NPT Hex Connector 04-952 to the inlet of the Micro Mist Filter.

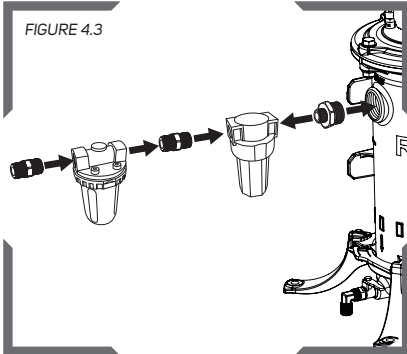
FITTING THE MAIN LINE PREFILTER

FIGURE 4.2



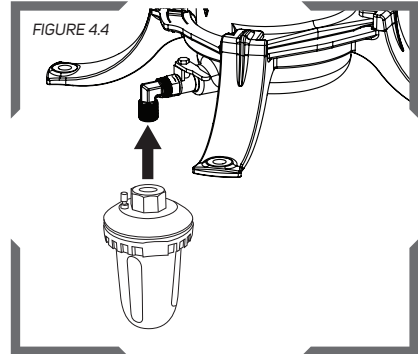
To fit the Main Line Prefilter, first thread the reducing nipple 04-926 into the Main Line Prefilter then thread it into the filter inlet and tighten, ensure the Main Line Prefilter is positioned straight. Thread in the 1/2" NPT Hex Connector 04-952 to the inlet of the Main Line Prefilter.

FITTING THE MAIN LINE PREFILTER IN LINE WITH THE MICRO MIST FILTER



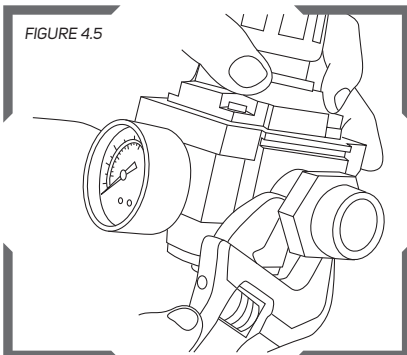
To fit the Main Line Prefilter onto the Micro Mist Filter, thread the 1/2" Hex Connector O4-952 into the Main Line Prefilter then thread it into the Micro Mist Filter inlet and tighten, ensure both units positioned straight.

FITTING THE AUTO DRAIN UNIT

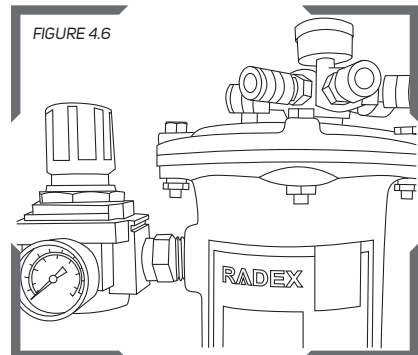


To fit the Auto Drain Unit, screw the unit onto the elbow connector on the draining valve. Make sure the unit is straight down so it will drain properly.

SUPER HIGH FLOW REGULATOR ASSEMBLY



Thread the O4-915 Pressure Gauge and O4-966 1"NPT Connector into the O4-962 Super High Flow Regulator and tighten.



Now thread the complete Regulator into the INLET port on the body of the Radex® Filter Unit and tighten or connect it to the inlet of the Micro Mist Filter or the Main Line Prefilter.

RADEX AIRLINE FILTER

SETUP AND CARE CONTINUED

NOTE

Refer to your respirator instruction manual for pressure ranges for your respirators, increase the pressure according to the number of operators.

Check that ALL fittings and connections are tight. **YOUR FILTER IS NOW READY FOR USE.**

INLET CONNECTION

The Radex® Airline Filter has a 1" NPT inlet. Thread in a ball valve close to the inlet so the unit can be shut off for servicing. Connect inlet fittings and tighten. Once the Radex® is completely assembled and connected to compressed air open supply line, check fittings for any air leaks and tighten accordingly.

⚠ WARNING

DO NOT over tighten fittings, as over tightening could crack the filter body which may lead to an explosion and cause serious injury.

Follow tightening directions from the maintenance section using a torque wrench.

BREATHING AIR SUPPLY HOSES AND FITTINGS

RPB® air supply hoses and fittings must be used between the Radex® (point of attachment) and the respirator breathing air connection at the wearer's belt. The hose sections must be within the correct length and the amount of sections must be within the number specified in the breathing air pressure table in the instruction manual for the respirator being used. All connections should be sealed using liquid thread sealant. If the Radex® Airline Filter is hard piped an isolation valve must be used to enable depressurization for servicing.

MAINTENANCE

Drain Moisture Daily

Water will accumulate in the filter tank, this should be drained by opening the ball valve. This should be done each day. In very humid climates or if there is large amounts of water in the air supply it is recommended to leave the ball valve partially open to bleed the moisture. When fitted with auto drain assembly O4-924, moisture will automatically drain from the unit. Check it periodically as particles could cause blockages.

Filter cartridge replacement

The filter cartridge should be inspected weekly or more often depending on usage and the conditions of the air system in which the Radex® Airline Filter is installed. The filter cartridge should be replaced after a period of 3 months based on a 40 hour week and typical usage. If the Pressure Gauge on the Super High Flow Regulator and the Pressure Gauge on the Manifold are reading more than 10psi apart, your cartridge is blocked and needs replacing.

The filter cartridge must be replaced immediately if the following exist:

1. The presence of odor and or tastes in the air being supplied to the respirator.
2. Presence of moisture at the outlet fittings.
3. Large pressure drop of 10psi or more across the filter.

Optional Equipment

Check and replace as needed:

- Main line pre-filter element.
- Micro-mist filter element.

Replacing the Cartridge and Cleaning the unit

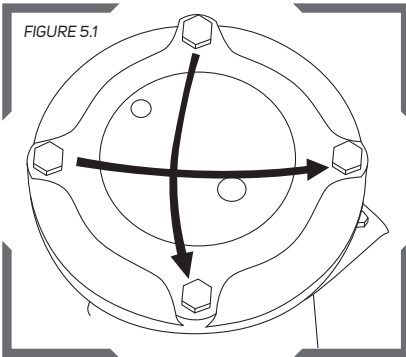
1. Shut off the air supply to the Radex® Airline Filter and release all air from the body by opening the pressure release valve.

⚠ WARNING

Pressurized air in the filter could cause lid to forcefully blow off during removal, resulting in serious injury.

2. Remove the bolts from the lid and separate the lid from the body.
3. Remove the cartridge and dispose in an appropriate disposal area.
4. Clean and dry the inside of the filter body with water, mild detergent, and a cloth or paper towels to remove any contaminants, do not clean with volatile chemicals. Irritation or sickness may result from lack of cleaning the inside of the Radex® housing.
5. Check the o-rings (O4-919) and replace if damaged.
6. Insert a new filter cartridge and reassemble the lid, tighten the bolts in the pattern drawn in (Fig 5.1). Tighten bolts to 10ft/lb torque.
7. Record the data on the sticker supplied with the filter cartridge and place onto the Radex® Airline Filter body.

FIGURE 5.1



PRODUCT CARE

Do not apply paints, solvents, adhesives or self-adhesive labels except as instructed by RPB®. This product may be adversely affected by certain chemicals.

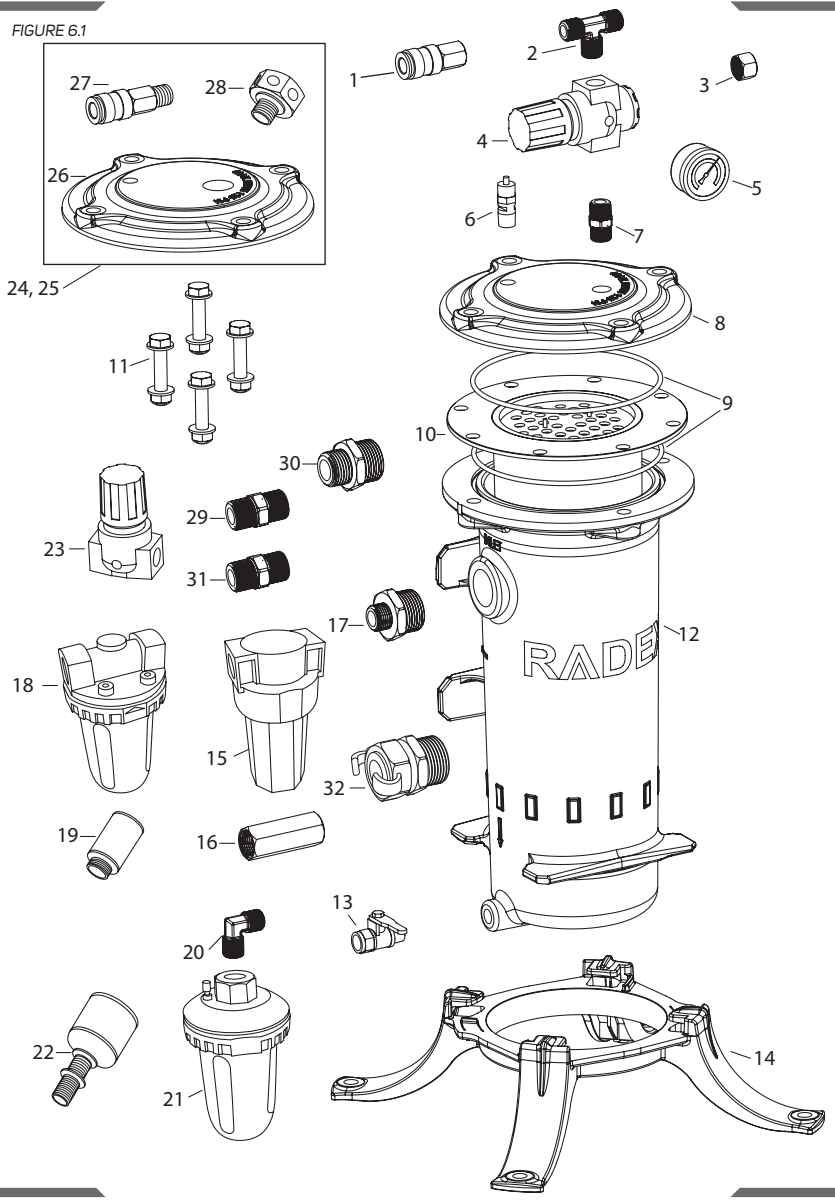
⚠ WARNING

Depending on the contaminants filtered by the Radex®, the used filter itself may be hazardous. Take appropriate precautions when handling to avoid exposure to released contaminants; a company disposal procedure may be needed.

RADEX AIRLINE FILTER

PARTS AND ACCESSORIES

FIGURE 6.1



PARTS LIST

Item Number	Description	Part Number
1	RPB® Quick Disconnect Coupler	04-911
	Schrader Quick Connect Coupler	03-042-CF
2	3/8" Tee	04-912
3	3/8" Cap	04-913
4	Pressure Regulator	04-914
5	Pressure Gauge (also for 09-962)	04-915
6	Pressure Relief Valve 150 psig (1034 kpa)	04-916
7	3/8" Hex Nipple	04-917
8	Lid	04-918
9	O-ring (set of 2)	04-919
10	Filter Cartridge	APF 3100
11	Bolt, Nut, and Washer (set of 4)	04-920
12	Body	04-921
13	Drain Tap	04-922
14	Base Mount	04-923
15	Micro Mist Filter 1/2"*	04-925
16	Micro Mist Filter Element for 04-925*	04-930
17	1" x 1/2" Reducing Nipple*	04-926
18	Main Line Pre Filter*	04-927
19	Filter Element for 04-927*	04-929
20	Brass Elbow*	04-928
21	Auto Drain Unit*	04-924
22	Auto Drain Assembly for 04-924*	04-931
23	Super High Flow Regulator*	04-962
24	Six Outlet Upgrade Kit* inc. 5, 6, 7, 23	04-960
25	Six Outlet RZ Fitting Upgrade Kit* inc. 5, 6, 7, 23	04-964-RZ
26	Six Outlet Filter Lid*	04-961
27	Six Outlet Coupler*	04-964
28	Six Outlet Manifold*	04-965
29	1" NPT Hex Connector*	04-966
30	1" NPT to 3/4" BSP Bushing*	04-967
31	1/2" NPT Hex Connector*	04-952
32	Claw Coupler*	04-951

*Optional parts.



WARNING

Use only exact, authentic RPB® replacement parts (marked with the RPB® logo and part number), and only in the specified configuration. Using incomplete or inappropriate equipment, including the use of counterfeit or non-RPB® parts, can result in inadequate protection and will void the NIOSH approval of the entire respirator assembly.

RADEX AIRLINE FILTER

LIMITED WARRANTY

RPB® warrants that its Products will be free from defects in materials and workmanship for one (1) year, subject to the terms of this limited warranty. The Products are sold only for commercial use, and no consumer warranties apply to the Products. This limited warranty is for the benefit of the original Product purchaser, and cannot be transferred or assigned. This is the sole and exclusive warranty provided by RPB®, and ALL CONDITIONS AND IMPLIED WARRANTIES (INCLUDING ANY WARRANTY OF MERCHANTABILITY OR FITNESS FOR A PARTICULAR PURPOSE) ARE EXCLUDED AND DISCLAIMED FROM WARRANTY COVERAGE. RPB's® limited warranty coverage does not apply to damage resulting from accident, improper use or misuse of the Products, wear and tear resulting from the normal use of the Products, or the failure to properly maintain the Products.

RPB's® limited warranty coverage runs from the original date of purchase of the Products, and applies only to warranted defects which first manifest themselves and are reported to RPB® within the warranty period. RPB® retains the right to determine to its reasonable satisfaction whether any claimed defect is covered by this limited warranty.

If a warranted defect occurs, RPB® will repair or replace the defective Product (or a component of the Product), in its sole discretion. This "repair or replacement" remedy is the sole and exclusive remedy under this limited warranty, and under no circumstances shall RPB's® liability under this limited warranty exceed the original purchase price for the Products (or the applicable component). RPB® has no responsibility for incidental or consequential damages, including loss of use, maintenance and other costs, and ALL INCIDENTAL AND CONSEQUENTIAL DAMAGES ARE EXCLUDED AND DISCLAIMED from this limited warranty. Contact RPB® to obtain warranty service. Proof of purchase must be provided to obtain warranty service. All costs of returning the Products to RPB® for warranty service must be paid by the purchaser.

RPB® reserves the right to improve its Products through changes in design or materials without being obligated to purchasers of previously manufactured Products.

LIABILITY

RPB® Safety cannot accept any liability of whatsoever nature arising directly or indirectly from the use or misuse of RPB® Safety products, including purposes that the products are not designed for. RPB® Safety is not liable for damage, loss or expense resulting from the failure to give advice or information or the giving of incorrect advice or information, whether or not due to RPB® Safety's negligence or that of its employees, agents or subcontractors.

NEDERLANDS

Raadpleeg de paginanummers van Radex® Engels Gebruiksaanwijzing voor afbeeldingen en diagrammen.

UITLEG VAN SIGNAALWOORDEN EN SYMBOLEN

De volgende signaalwoorden en veiligheidssymbolen worden in deze handleiding en op de productetiketten gebruikt:



WAARSCHUWING

WAARSCHUWING geeft een gevaarlijke situatie aan die, als deze niet wordt vermeden, kan resulteren in overlijden of ernstig letsel.



GEVAAR

GEVAAR geeft een gevaarlijke situatie aan die, als deze niet wordt vermeden, kan resulteren in overlijden of ernstig letsel.



Lees de Gebruiksaanwijzing.

Extra exemplaren van RPB® handleidingen kunnen gevonden worden op www.rpbsafety.com.

GECERTIFICEERD DOOR:

BSI Group (NB0086), Kitemark Court, Knowlhill, Milton Keynes MK5 8PP United Kingdom

RPB® Safety LLC is een ISO9001 gecertificeerd bedrijf.

INTRODUCTIE

Het RPB® Radex®-filtersysteem is ontworpen om gecompriëerde ademlucht te filteren om de meeste verontreinigingen uit de ademlucht van het ademhalingstoestel te verwijderen. Geavanceerde filterpatronen en de optionele micro mist filter zullen de ademhaling verbeteren en u beschermen zodat u van de beste momenten in het leven kunt genieten.

Dit product moet te allen tijde worden geïnspecteerd en onderhouden in overeenstemming met deze gebruiksaanwijzing.

Zie BESCHERMING EN BEPERKINGEN (pagina 23) voor meer informatie.

RPB® SAFETY - GLOBAL HEADQUARTERS

2807 Samoset Rd, Royal Oak, MI 48073, USA.

T: +1-866-494-4599 F: +1-866-494-4509 E: sales.us@rpbsafety.com rpbsafety.com

RPB® SAFETY - APAC

1 Ivan Jamieson Place, Christchurch Airport, Christchurch 8053 New Zealand.

T: +64-3-357-1761 F: +64-3-357-1763 E: sales.nz@rpbsafety.com rpbsafety.com

RPB® SAFETY - EMEA

Unit 2, Teardrop Industrial Park, London Road, Swanley, BR8 8TS, United Kingdom

T: +44-800-689-5031 E: sales@rpbsafety.co.uk rpbsafety.com

RADEX AIRLINE FILTER

Copyright ©2019 RPB Safety, LLC. Alle rechten voorbehouden. Alle inhoud op deze website is beschermd door de Amerikaanse auteursrechtwetgeving en mag niet worden gereproduceerd, gedistribueerd, overgedragen, weergegeven, gepubliceerd of uitgezonden zonder de voorafgaande schriftelijke toestemming van RPB Safety, LLC. U mag geen handelsmerk, auteursrecht of andere kennisgeving van kopieën van de inhoud wijzigen of verwijderen.

Alle handelsmerken, servicemerken en logo's die in deze publicatie worden gebruikt, zowel geregistreerd als niet-geregistreerd, zijn de handelsmerken, servicemerken of logo's van hun respectieve eigenaars. Alle rechten op het intellectuele eigendom van RPB in deze publicatie, inclusief auteursrecht, handelsmerken, dienstmerken, bedrijfsgeheimen en octrooirechten, zijn voorbehouden. RPB Intellectueel Eigendom omvat elk octrooi, gepatenteerde artikelen, octrooiaanvragen, ontwerpen, industriële ontwerpen, auteursrechten, software, broncode, databaserechten, morele rechten, uitvindingen, technieken, technische gegevens, handelsgeheimen, knowhow, merken, handelsmerken, handelsnamen, slogans, logo's en ander gemeen recht en eigendomsrechten, al dan niet geregistreerd, die in het bezit zijn van, geheel of gedeeltelijk zijn ontwikkeld door of in licentie zijn gegeven door RPB Safety, LLC.

Neem voor technische ondersteuning contact op met onze Klantenservice: 1-866-494-4599 of e-mail: customerservice@rpbssafety.com

Formulier #: 62

Herziening: 10

BELANGRIJKE VEILIGHEIDSINFORMATIE

WAARSCHUWING

Onjuiste selectie, pasvorm, gebruik of onderhoud van adembeschermingsproducten kan tot letsel leiden;

levensbedreigende vertraagde long-, huid- of oogziekte; of de dood. Dit product is bedoeld voor beroepsmatig gebruik in overeenstemming met de geldende normen of voorschriften voor uw locatie, branche en werkzaamheid (zie Verantwoordelijkheden van de Werkgever, pagina 25). Bekendheid met normen en voorschriften met betrekking tot het gebruik van deze beschermende uitrusting wordt aanbevolen, ook als deze niet rechtstreeks op u van toepassing zijn. Raadpleeg de Verantwoordelijkheden van de Werkgever en de Veiligheidsinstructies voor de Gebruiker indien u als zelfstandige werkt of indien u deze producten gebruikt in een niet-beroepsmatige omgeving. Ga naar rpbssafety.com/importantafetyinformation/ voor nuttige links naar OSHA, EN en AS/NZS-normen en andere inhoud.

Werkgevers: Read this manual and the flow control device Instruction Manual and carry out the Employer Responsibilities (page 25).

Productgebruikers: Read this manual and the flow control device Instruction Manual and follow the Product User Safety Instructions (page 26).

Kijk op de website voor updates. Producthandleidingen worden regelmatig bijgewerkt. Ga naar www.rpbssafety.com/resources/ voor de meest recente versie van deze handleiding voor gebruik van het product.

BESCHERMING EN BEPERKINGEN

BESCHERMING

De RPB® Radex® filter heeft 6 verschillende fases van filtermateriaal die de gebruiker beschermen tegen vaste of vloeibare deeltjes, zoals stof, nevels of geuren van 0,5 micron of groter, evenals een optionele micro mist filter en luchtlijn pre-filter.

BEPERKINGEN

De Radex® Airline Filter Onderdeel No. 04-900 verwijdert geen koolmonoxide en andere giftige gasen/dampen uit de ademlucht.

WAARSCHUWING

De RPB® Radex® is NIET GESCHIKT VOOR GEBRUIK als de luchtbron die wordt geleverd aan de Radex® een van de volgende karakteristieken heeft:

- De atmosfeer van de luchtbron bevat minder dan 19,5% zuurstof.
- De luchtbron bevat gevaarlijke gasen (bijvoorbeeld koolmonoxide).
- De temperatuur ligt buiten het bereik van -10°C tot + 60°C (14°F tot 140°F).

NORMEN EN VOORSCHRIFTEN

Het Radex® Filtratie Systeem kan helpen voldoen aan de vereisten voor ademluchtkwaliteit. Raadpleeg de volgende normen en voorschriften, afhankelijk van de locatie waar de Radex® wordt gebruikt, voor meer informatie:

- ANSI /Compressed Gas Association Commodity Specification for Air, G-7.1-1989.
- Federale OSHA 29 CFR 1910.134 "Compressorbewerkingen voor Ademlucht"
- Army Corps of Engineers EM385-1-1, Paragraaf 30.F.04.
- EN 12021: 2014 Ademhalingsapparatuur. Gecomprimeerde gasen voor ademhalingstoestel.
- AS/NZS 1715: 2009 Selectie, gebruik en onderhoud van adembeschermingsmiddelen.

LUCHTBRON, FITTINGEN EN DRUK

LUCHTBRON

Positioneer de luchtbron in een omgeving met schone lucht. Zorg ervoor dat de luchtbron ergens is waar voertuigen, vorkheftrucks en andere machines niet in de buurt van de luchtinlaat aan staan, omdat hierdoor koolmonoxide in uw Ademlucht wordt aangetrokken.

De lucht die wordt toegevoerd aan de Radex® Airline Filter mag 60 graden Celsius (140 graden Fahrenheit) niet overschrijden. Wanneer een oliegesmeerde luchtcompressor wordt gebruikt en deze extreem heet wordt, kan dit mogelijk koolmonoxide creëren.

⚠ GEVAAR Sluit de ademluchtslang van Radex® niet aan op stikstof, giftige gasen, inerte gasen of andere niet-adembare luchtbronnen. Controleer de luchtbron voordat u de luchtfilter gebruikt. Dit apparaat is niet ontworpen voor gebruik met mobiele ademluchtsystemen, dat wil zeggen cilinders of luchtpompen. Het niet aansluiten van de ademluchtslang op de juiste luchtbron kan ernstig letsel of de dood tot gevolg hebben.

EXTRA UITRUSTING/MATERIALEN

Gebruik altijd geschikte nakoelers/drogers. Raadpleeg de fabrikant/handleiding van de compressor voor aanbevelingen over het opstellen van de compressor voor ademlucht en voor geschikte inline luchtzuiverende sorptiebedden en filters. De compressorfilters en het

RADEX AIRLINE FILTER

oliepeil moeten dagelijks worden gecontroleerd en vervangen tijdens regelmatig gepland onderhoud of wanneer ze verontreinigd zijn.

VEREISTE LUCHTKWALITEITSBEWAKING

- De luchtkwaliteit moet worden getest ten tijde van de eerste montage bij het bevestigingspunt (de Radex® Airline Filter-uitlaat naar het ademhalingstoestel).
- De ademluchtkwaliteit moet continu worden gecontroleerd en/of worden getest op ten minste de volgende luchtcomponenten (controleer uw lokale normen voor vereisten, zie pagina 4):
 - O₂ - Zuurstof
 - CO₂ - Kooldioxide
 - CO - Koolmonoxide
 - H₂O - Water (Vochtgehalte)
 - Koolwaterstoffen (Oliemist)
 - Totaal van Deeltjes
- Opnieuw testen van de luchtkwaliteit wordt aanbevolen als de compressor wordt verplaatst of als de compressorlocatie of -omgeving aanzienlijk verandert.

Een GX4® Gasmonitor, Onderdeelnr. 08-400, wordt aanbevolen voor het monitoren van Koolmonoxide, Zuurstof en Waterstofsulfide. (*Andere gassensoren kunnen in de toekomst beschikbaar worden.*)

Dit kan ertoe bijdragen dat een systeem voldoet aan OSHA-voorschriften 1910.134(i)(7), EN 12021 en AS/NZS 1715.

ADEMLUCHTDRIK

De luchtdruk moet continu worden gecontroleerd op het bevestigingspunt. Luchtdruk moet worden afgelezen van een betrouwbare manometer terwijl er lucht door het ademhalingstoestel stroomt, zoals vereist door toepasselijke normen en voorschriften. Raadpleeg de handleiding van het ademhalingstoestel voor de ademluchtdruktabel om de juiste luchtdrukinstellingen te bepalen voor montage.

⚠ WAARSCHUWING Waarschuwing! De luchtdruk die wordt geleverd aan de Radex® Airline Filter mag de 125 psi (8,6 bar) niet overschrijden. Het overschrijden van deze luchtdruk kan tot gevolg hebben dat de regelaar niet voldoende lucht in het toestel toelaat om goed te werken of ervoor kan zorgen dat de eenheid explodeert.

STANDAARD ADEMLUCHTSYSTEEM

AFBEELDING 1.1 OP PAGINA 7

1. Ademluchtcompressor
2. Ademluchtslang naar filter
3. Optionele pre-filters en regelaar
4. Radex® airline filtratie systeem
5. GX4® gasmonitor
6. Bevestigingspunt

7. Ademluchtslang
8. Ademhalings slang en regelaar
9. Luchtkap ademhalingsstoestel (Nova 3® afgebeeld)

VERANTWOORDELIJKHEDEN VAN DE WERKGEVER

Uw specifieke verantwoordelijkheden kunnen verschillen per locatie en branche, maar over het algemeen verwacht RPB® dat werkgevers:

- **Alle geldende normen en voorschriften voor uw locatie, branche en werkzaamheid opvolgen.** Afhankelijk van uw locatie en branche, kunnen een aantal normen en voorschriften van toepassing zijn op uw selectie en gebruik van ademhalingstoestellen en andere persoonlijke beschermende uitrusting. Deze kunnen bijvoorbeeld vereisten specifiek voor bepaalde verontreinigingen zijn, b.v. silica (zie rpbsafety.com/importantsafetyinformation/ voor meer informatie), asbest, organische ziekteverwekkers, enz. Weet welke eisen van toepassing zijn op uw locatie en branche.

- **Zorg voor geschikte veiligheidsprogramma's.**

Heb en volg:

- Een veiligheidsprogramma voor de werkplek.
- Een geschreven programma voor ademhalingsbescherming in overeenstemming met de van toepassing zijnde normen en voorschriften.

- **In overeenstemming met bovenstaande,**

- **Voer een gevarenanalyse uit en selecteer gepaste uitrusting voor elke werkzaamheid.**

Een bevoegd persoon moet een gevarenanalyse uitvoeren. Er moeten waar nodig controles plaatsvinden en een gekwalificeerd persoon moet bepalen welk soort ademhalings, gezichts-, oog-, hoofd- en gehoorbescherming geschikt zijn voor de beoogde werkzaamheden en gebruiksomstandigheden. (Kies bijvoorbeeld een ademhalingstoestel dat geschikt is voor de specifieke gevaarlijke luchtverontreinigingen, rekening houdend met de werkplek en de gebruiker en met een Toegekende Protectie Factor (TPF) die aan de vereiste norm voor werknemersbescherming voldoet of dit overtreft, selecteer lasbescherming voor gezicht en ogen passend bij het type laswerk, enz.)

Indien van toepassing, controleer uw veiligheidsprogramma op de werkplek, het programma voor ademhalingsbescherming en de normen en voorschriften voor uw werkzaamheid of branche voor gerelateerde beschermingsvereisten en raadpleeg deze handleiding (Bescherming en Beperkingen, pagina 23), de regelaar, en de Gebruiksaanwijzing van de luchtkap voor productspecificaties.

- **Zorg ervoor dat werknemers medisch gekeurd zijn om een ademhalingstoestel te gebruiken.**

Laat een gekwalificeerde arts of andere bevoegde zorgverlener medische evaluaties uitvoeren met behulp van een medische vragenlijst of een standaard medisch onderzoek per OSHA 29 CFR 1910.134, EN 12021, AS/NZS 1715 of lokale normen zoals vereist.

- **Train medewerkers in het gebruik, onderhoud en de beperkingen van de Radex®.**

RADEX AIRLINE FILTER

Benoem een gekwalificeerd persoon met voldoende kennis over de RPB® Radex® en lokale normen en vereisten om training te geven:

Ex.: ANSI/ASSE Z88.2 Paragraaf 8.1 Kwalificaties van de Ademhalingstoestel-Trainer. Iedereen die training voor het ademhalingstoestel verzorgt, moet:

- a) goed geïnformeerd zijn over de toepassing en het gebruik van de ademhalingstoestellen;
- b) praktische kennis toepassen bij de selectie en het gebruik van ademhalingstoestellen en werkmethoden op de werkplek;
- c) inzicht hebben in het programma voor ademhalingstoestellen van de werkplek; en
- d) kennis hebben van geldende regels.

Train elke Radex®-gebruiker voor het gebruik, de toepassing, de inspectie, het onderhoud, de opslag, de pasvorm en de beperkingen van het product in overeenstemming met de inhoud van deze gebruiksaanwijzing en de handleiding van de gekeurde regelaar en luchtkap en de standaard- of regelgevingsvereisten. Zorg ervoor dat iedere beoogde gebruiker beide handleidingen leest.

■ **Zorg ervoor dat de uitrusting correct is gemonteerd, gebruikt en onderhouden.**

Zorg ervoor dat de uitrusting correct is gemonteerd, geïnspecteerd, gepast, gebruikt en onderhouden, inclusief selectie van het juiste luchtfilterpatroon volgens de aanbevelingen in het onderhouds gedeelte van deze handleiding.

■ **Meet en controleer de luchtverontreiniging op de werkplaats.**

Meet en controleer de niveaus van luchtverontreiniging op de werkplaats in overeenstemming met de geldende voorschriften.

■ **Zorg ervoor dat de werkplaats goed geventileerd en gecontroleerd is:**

Ventileer en controleer de lucht in het werkgebied zoals vereist volgens lokale normen en voorschriften.

■ **Neem voor vragen contact op met RPB®.**

■ Call Customer Service Department at:

Tel: 1-866-494-4599

Email: customerservice@rpbsafety.com

Web: rpbsafety.com

VEILIGHEIDSINSTRUCTIES VOOR DE GEBRUIKER

VOÓR HET EERSTE GEBRUIK - TRAINING

Gebruik dit ademhalingstoestel niet totdat u deze handleiding en de Gebruiksaanwijzing van de regelaar en de luchtkap heeft gelezen (extra exemplaren beschikbaar op www.rpbsafety.com) en getraind bent in het gebruik, het onderhoud en de beperkingen van het ademhalingstoestel door een gekwalificeerd persoon (benoemd door uw werkgever) die kennis heeft van de RPB® Radex®.

CONTROLEER OF HET SYSTEEM GEBRUIKSKLAAR IS

Inspecteer alle componenten dagelijks op tekenen van beschadiging of slijtage die het beschermingsniveau dat oorspronkelijk werd geleverd kunnen verminderen. Verwijder elk beschadigd onderdeel of product, omdat het filter een druk-onderdeel is en schade aan het

onderdeel vermoeidheid kan veroorzaken die kan leiden tot ernstig letsel of de dood. Probeer niet om de filtereenheid te lassen.

Zorg ervoor dat de filter correct is gemonteerd in de configuratie die bij uw toepassing past. Gebruik de filter nooit zonder dat alle componenten op hun plaats zitten. Controleer of u alle vereiste componenten voor het Radex®-luchtfiltersysteem hebt, zoals: overdrukventiel, regelaar, afvoerklap, filterhuls en de dop stevig is vastgedraaid. Lucht zal worden vrijgegeven als de druk in het filter hoger dan 150 psig (10,3 bar) is. Als het gat is afgesloten met iets anders dan het overdrukventiel, kan overdruk het toestel doen ontploffen, met mogelijk ernstig letsel tot gevolg.

Gebruik alleen authentieke RPB®-merkonderdelen en -componenten. Het gebruik van onvolledige of ongepaste apparatuur, inclusief het gebruik van nagemaakte of niet-RPB®-onderdelen, kan leiden tot onvoldoende bescherming en kan de filtratiecapaciteit verminderen. Pas geen enkel deel van dit product aan, en verander niets.

CONTROLEER OF DE UITRUSTING GESCHIKT IS VOOR UW WERKZAAMHEID

Controleer of de Radex® de juiste bescherming biedt voor uw werkzaamheid. Controleer, indien van toepassing, uw veiligheidsprogramma op de werkplek, programma voor ademhalingsbescherming en de normen en voorschriften voor uw werkzaamheid of branche. (Zie BESCHERMING EN BEPERKINGEN, pagina 23.)

ALVORENS EEN ADEMHALINGSTOESTEL AAN DE RADEX® TE VERBINDEN:

Controleer of verontreinigingen in de lucht binnen de aanbevolen limieten voor gebruik van ademhalingsstoestellen vallen:

- Bepaal het soort en niveau van vervuiling. Controleer of de concentraties van verontreinigingen in de lucht niet groter zijn dan toegestaan door de geldende voorschriften en aanbevelingen voor ademhalingsstoestellen met ademplucht.

Zorg dat de werkplek geventileerd wordt en dat de werkplek en de ademplucht gecontroleerd worden:

- Zorg ervoor dat het gebied goed geventileerd is en dat er regelmatig luchtmonsters genomen worden om te bevestigen dat de atmosfeer binnen de aanbevolen niveaus van OSHA, EN, AS/NZS en andere bestuursorganen en normen blijft. Het gebruik van een GX4® Gasmonitor wordt aanbevolen om de adempluchttoevoer afkomstig van de Radex® te controleren. Volg de Gebruiksaanwijzing van de GX4® Gasmonitor.

Als u vragen heeft, stel deze aan uw werkgever.

MONTAGE EN ONDERHOUD

Installeer de Radex® op een locatie die binnen het aanbevolen temperatuurbereik van -10°C tot +60°C (14°F to 140°F) ligt om de eenheid te beschermen en om de luchttoevoer onder de 60°C te houden (140°F). Monteer de Radex® Airline Filter altijd op een vaste, vlakke ondergrond. Het wordt aanbevolen om de standaard aan de grond te bevestigen of aan een stevige muur te monteren om te voorkomen dat deze kantelt.

RADEX AIRLINE FILTER

MONTAGEVOETSTUK - VLOOR

AFBEELDING 1.1 OP PAGINA 11

Om het montagevoetstuk te bevestigen, zet de pijlen van het voetstuk op één lijn met de pijlen op de filter.

AFBEELDING 1.2 OP PAGINA 11

Het montagevoetstuk past alleen in twee posities, de pijlen moeten op één lijn liggen vóór vergrendeling. Draai de filter met de klok mee en vergrendel deze. U hoort een klik wanneer de basis in de eindpositie staat.

AFBEELDING 1.3 OP PAGINA 11

Gebruik de gaten in de poten van het montagevoetstuk en zet de eenheid aan de grond (bij voorkeur beton) vast, om kantelen en letsel of schade aan het toestel te voorkomen. Gebruik 3/8 "(10 mm) bouten of houtdraadbouten om de basis op de grond te bevestigen.

MONTAGEVOETSTUK - MUUR

AFBEELDING 1.4 OP PAGINA 11

Het montagevoetstuk kan ook worden gebruikt om de filter op een stevige muur te monteren. Gebruik bouten en de gaten in de poten om het voetstuk aan de muur

te bevestigen. Bevestig de Radex® aan het montagevoetstuk zodra deze aan de muur is bevestigd. De bouten/schroeven moeten de ongeveer 20lbs (+/- 9KG) aan gewicht van de eenheid kunnen houden.

04-900 MONTAGE - 2 UITLAATSPRUITSTUK

AFBEELDING 2.1 OP PAGINA 12

Om de drukregelaar in elkaar te zetten, draai de manometer in de behuizing en draai deze vast met een 11 mm steeksleutel.

AFBEELDING 2.2 OP PAGINA 12

Verbind de snelkoppeling en de messing dop met het 3/8" T-stuk in de bovenkant van de drukregelaar en draai vast. Draai de regelaar goed aan voordat u hem op de Radex® Airline Filter monteert. Gebruik afdichtmiddel op alle fittingen.

AFBEELDING 2.3 OP PAGINA 12

Monteer de complete regelaar op de bovenkant van de Radex® Airline Filter-dop met behulp van een 17 mm steeksleutel.

AFBEELDING 2.4 OP PAGINA 12

Monteer het overdrukventiel en draai deze vast.

⚠ WAARSCHUWING

Het overdrukventiel moet worden aangesloten om de Radex® Airline Filter te beschermen tegen overdruk. Als het gat is afgesloten met iets anders dan het overdrukventiel, kan overdruk tot een explosie van het toestel leiden.

04-960 EN 04-964-RZ MONTAGE - 6

UITLAATSPRUITSTUK

AFBEELDING 3.1 OP PAGINA 13

Om het Zes-Uitlaatspuitstuk in elkaar te zetten, draai eerst de 04-915 Manometer in het 6-Uitlaatspuitstuk 04-965 en draai vast.

AFBEELDING 3.2 OP PAGINA 13

Schroef alle zes Koppelingen in het Spruitstuk 04-965 en draai ze vast.

AFBEELDING 3.3 OP PAGINA 13

Schroef het voltooide Zes-Uitlaatspuitstuk-assemblage in de dop van de filter en draai vast.

AFBEELDING 3.4 OP PAGINA 13

Schroef het 04-916 Overdrukventiel in de dop en draai vast.

OPTIONELE BEVESTIGINGEN

De Micro Mist Filter (04-925), Luchtlijn Pre-Filter (04-927), Automatische Afvoer (04-924) en Super Hoge Volume-Regelaar (04-962) zijn optionele hulpstukken voor

omgevingen of met overmatig veel vocht, olie of andere fijne deeltjes in de lucht. Ze kunnen allemaal tegelijk of afzonderlijk worden gebruikt.

MONTAGE VAN DE MICRO MIST FILTER

AFBEELDING 4.1 OP PAGINA 14

Om de Micro Mist Filter te plaatsen, steekt u eerst de verloopnippel 04-926 in de micro mist filter en vervolgens in de filterinlaat en trekt u aan, zorg ervoor dat het micro mist filter rechtop staat, zodat het vocht uit het opvangreservoir kan lopen. Draai het 1/2 "NPT Hex Verbindingsstuk 04-952 in de inlaat van de Micro Mist Filter.

MONTAGE VAN DE LUCHTLIJN PRE-FILTER

AFBEELDING 4.2 OP PAGINA 14

Om de luchtlijn pre-filter te plaatsen, draai de verloopnippel 04-926 eerst in de pre-filter van de luchtlijn en vervolgens in de filterinlaat en draai vast, zorg ervoor dat de pre-filter van de hoofdleiding recht staat. Leid de 1/2 "NPT Zeskantconnector 04-952 in de inlaat van de pre-filter van de hoofdleiding.

MONTAGE VAN DE LUCHTLIJN PRE-FILTER IN LIJN MET DE MICRO MIST FILTER

AFBEELDING 4.3 OP PAGINA 15

Om de pre-filter van de luchtlijn op de micro mist filter te monteren, schroef de 1/2" Zeskantconnector 04-952 in de luchtlijn pre-filter en schroef deze vervolgens in de Inlaat van de Micro Mist Filter en draai vast, zorg ervoor dat beide eenheden recht staan.

DE AUTOMATISCHE AFVOER PLAATSEN

AFBEELDING 4.4 OP PAGINA 15

Schroef de Automatische Afvoer op de elleboogaansluiting op het aftapventiel. Zorg ervoor dat het apparaat recht naar beneden is gericht, zodat het goed leeg kan lopen.

SUPER HOGE LUCHTSTROOMREGELAAR

AFBEELDING 4.5 OP PAGINA 15

Schroef de 04-915 Manometer en 04-966 1" NPT-Connector in de 04-962 Super Hoge Luchtstroomregelaar en draai vast.

AFBEELDING 4.6 OP PAGINA 15

Schroef nu de complete Regelaar in de INLAAT op de behuizing van de Radex® Filter en draai deze vast, of sluit deze aan op de inlaat van de Micro Mist Filter of de Pre-Filter van de Luchtlijn.

LET OP

Raadpleeg de handleiding van uw ademhalingstoestel voor drukbereiken voor uw ademhalingstoestellen, verhoog de druk op basis van het aantal gebruikers.

Controleer of ALLE fittingen en aansluitingen goed vastzitten. **UW FILTER IS NU KLAAR VOOR GEBRUIK.**

INLAATAANSLUITING

De Radex® Airline Filter heeft een 1" NPT-inlaat. Plaats een kogelkraan dicht bij de inlaat zodat de eenheid kan worden uitgeschakeld voor onderhoud. Bevestig de inlaatifittingen aan en draai vast. Zodra de Radex® volledig is gemonteerd en is aangesloten op de ademluchttoevoer, controleer de fittingen op luchtlekken en draai deze overeenkomstig aan.

⚠ WAARSCHUWING

Draai de fittingen NIET te vast, omdat een te strak aandraaien de behuizing van de filter kan scheuren, wat kan leiden tot een ontploffing en ernstig letsel kan veroorzaken. Volg de aandraai-

RADEX AIRLINE FILTER

instructies uit het onderhoudsgedeelte met gebruik van een momentsleutel.

ADEMLUCHTSLANGEN EN FITTINGEN

RPB® ademluchtsslagen en -fittingen moeten worden gebruikt tussen de Radex® (het bevestigingspunt) en de aansluiting van het ademhalingstoestel op de riem van de drager. De onderdelen van de slang moeten zich binnen de juiste lengte bevinden en het aantal onderdelen moet binnen het aantal vallen dat is aangegeven in de ademluchtdruktabel in de gebruiksaanwijzing van het gebruikte ademhalingstoestel. Alle verbindingen moeten worden afgedicht met vloeibaar afdichtmiddel. Als de Radex® Airline Filter aan een harde leiding is verbonden, moet een isolatieklep worden gebruikt om drukontlasting voor onderhoud mogelijk te maken.

ONDERHOUD

Voer Vocht Dagelijks Af

Water zal zich ophopen in de filtertank, dit moet worden afgetapt door de kogelkraan te openen. Dit zou elke dag moeten gebeuren. In zeer vochtige klimaten of als er grote hoeveelheden water in de luchttoevoer zitten, wordt aanbevolen om de kogelkraan gedeeltelijk open te laten om het vocht te laten wegvloeien. Wanneer deze is uitgerust met een Automatische Afvoer 04-924, zal vocht automatisch uit het toestel weglopen. Controleer de afvoer regelmatig, omdat deeltjes verstoppingen kunnen veroorzaken.

Vervanging filterpatroon

Het filterpatroon moet wekelijks of vaker worden geïnspecteerd, afhankelijk van het gebruik en de omstandigheden van het luchtsysteem waarin de Radex® Airline Filter is geïnstalleerd. Op basis van een 40-urige werkweek en typisch gebruik moet het filterpatroon na een periode van 3 maanden worden vervangen. Als de Manometer op de Super Hoge Luchtstroomregelaar en de Manometer op het Spruitstuk meer dan 10 psi uit elkaar liggen, is uw patroon verstopt en moet deze worden vervangen.

Het filterpatroon moet onmiddellijk worden vervangen in de volgende scenarios:

1. Geur en/of smaak in de lucht die aan het ademhalingstoestel wordt geleverd.
2. Vocht bij de uitlaatfittingen.
3. Grote drukval van 10 psi of meer na de filter.

Optionele Uitrusting

Controleer en vervang indien nodig:

- Luchtlijn Pre-Filter element.
- Micro Mist Filterelement.

De Cartridge Vervangen en de eenheid Reinigen

1. Sluit de luchttoevoer naar het Radex® Airline Filter af en laat alle lucht uit de Filter ontsnappen door het overdrukventiel te openen.

WAARSCHUWING

Luchtdruk in de filter kan er voor zorgen dat de dop tijdens het verwijderen krachtig afblaast, wat tot ernstig letsel kan leiden.

2. Verwijder de bouten van de dop en haal de dop van de filter.

3. Verwijder het patroon en gooi deze in daarvoor geschikt afval weg.
4. Reinig en droog de binnenkant van de filter met water, een mild reinigingsmiddel en een papieren doekje om eventuele verontreinigingen te verwijderen. Niet reinigen met vluchtige chemicaliën. Irritatie of ziekte kan het gevolg zijn van een gebrek aan reiniging van de binnenkant van de Radex®-behuizing.
5. Controleer de O-ringen (04-919) en vervang ze als ze beschadigd zijn.
6. Plaats een nieuw filterpatroon en monteer de dop weer, draai de bouten vast volgens het patroon in Afbeelding 5.1. Draai bouten vast met 10ft/lb koppelsteutel.
7. Schrijf de gegevens op de sticker die met de filterpatroon is meegeleverd en plaats deze op de Radex® Airline Filter.

ONDERHOUD

AFBEELDING 5.1 OP PAGINA 17

Breng geen verf, oplosmiddelen, kleefstoffen of zelfklevende etiketten aan, tenzij aan de hand van instructies van RPB®. Bepaalde chemicaliën kunnen schadelijk zijn voor dit product.



WAARSCHUWING

Depending on the contaminants filtered by the

Radex®, the used filter itself may be hazardous. Take appropriate precautions when handling to avoid exposure to released contaminants; a company disposal procedure may be needed.

ONDERDELEN EN ACCESSOIRES

AFBEELDING 6.1 OP PAGINA 18

LIJST MET ONDERDELEN

Item Nummer	Beschrijving	Onderdeel Nummer
1	RPB® Snelkoppeling	04-911
	Schrader Snelkoppeling	03-042-CF
2	3/8" Tee	04-912
3	3/8" Dop	04-913
4	Drukregelaar	04-914
5	Manometer (Ook voor 09-962)	04-915
6	Overdrukventiel 150 psig (1034 kpa)	04-916
7	3/8" Hex Nippel	04-917
8	Dop	04-918
9	O-ring (set van 2)	04-919
10	Filterpatroon	APF 3100
11	Bout, Moer en Sluitring (set van 4)	04-920
12	Behuizing	04-921
13	Aftapkraan	04-922
14	Montagevoetstuk	04-923
15	Micro Mist Filter 1/2"*	04-925
16	Micro Mist Filter Element voor 04-925*	04-930

RPB RADEX AIRLINE FILTER

17	1" x 1/2" Verloopnippel*	04-926
18	Luchtlijn Pre-Filter*	04-927
19	Filter Element voor 04-927*	04-929
20	Koperen Elleboog*	04-928
21	Automatische Afvoer*	04-924
22	Automatische Afvoer voor 04-924*	04-931
23	Super Hoge Luchtstroomregelaar*	04-962
24	Zes-Uitlaat Upgrade Kit* inc. 5, 6, 7, 23	04-960
25	Zes-Uitlaat RZ Fitting Upgrade Kit* inc. 5, 6, 7, 23	04-964-RZ
26	Zes-Uitlaat Filterdop*	04-961
27	Zes-Uitlaatkoppeling*	04-964
28	Zes-Uitlaatspruitstuk*	04-965
29	1" NPT Zeskantconnector*	04-966
30	1" NPT to 3/4" BSP Doorvoerisolator*	04-967
31	1/2" NPT Zeskantconnector*	04-952
32	Klauwkoppeling*	04-951

*Optionele Onderdelen

⚠ WAARSCHUWING

Gebruik alleen exacte, authentieke RPB®-vervangingsonderdelen (gemarkeerd met het RPB®-logo en onderdeelnummer) en alleen in de aangegeven opstelling. Gebruik van onvolledige of ongeschikte uitrusting, waaronder het gebruik van nagemaakte of niet-RPB®-onderdelen, kan resulteren in onvoldoende bescherming en maakt de NIOSH-keuring van het volledige ademhalingstoestel nietig.

BEPERKTE GARANTIE

RPB® garandeert dat haar Producten gedurende één (1) jaar vrij zijn van materiaal- en fabricagefouten, met inachtneming van de voorwaarden van deze beperkte garantie. De Producten worden alleen verkocht voor commercieel gebruik en er zijn geen consumentengaranties van toepassing op de Producten. Deze beperkte garantie komt ten goede aan de oorspronkelijke koper van het Product en kan niet worden overgedragen of toegewezen. Dit is de enige en exclusieve garantie die door RPB® wordt geboden en **ALLE VOORWAARDEN EN STILZWIJGENDE GARANTIES (INCLUSIEF ELKE GARANTIE VAN VERKOOPBAARHEID OF GESCHIKTHEID VOOR EEN BEPAALD DOEL) WORDEN UITGESLOTEN EN UITGESLOTEN VAN DE GARANTIEDEKKING**. De beperkte garantiedekking van RPB® is niet van toepassing op schade die voortvloeit uit een ongeval, oneigenlijk gebruik of verkeerd gebruik van de Producten, slijtage als gevolg van het normale gebruik van de Producten of het niet correct onderhouden van de Producten.

De beperkte garantiedekking van RPB® geldt vanaf de oorspronkelijke aankoopdatum van de Producten en is alleen van toepassing op gebreken die zich voor het eerst manifesteren en die binnen de garantieperiode aan RPB® worden gemeld. RPB® behoudt het recht om naar redelijke tevredenheid te bepalen of een geclaimd defect onder deze beperkte garantie valt.

Als er defect optreedt dat onder de garantie valt, zal RPB® naar eigen goeddunken het defecte Product (of een onderdeel van het product) repareren of vervangen. Deze ‘reparatie of vervanging’ oplossing is de enige en exclusieve remedie onder deze beperkte garantie en de aansprakelijkheid van RPB® onder deze beperkte garantie zal onder geen enkele omstandigheid de oorspronkelijke aankoopprijs voor de Producten (of het toepasselijke onderdeel) overschrijden. RPB® is niet verantwoordelijk voor incidentele of gevolgschade, inclusief gebruiksderving, onderhoud en andere kosten, en **ALLE INCIDENTELE EN GEVOLGSCHADE ZIJN UITGESLOTEN EN NIET ERKEND** door deze beperkte garantie. Neem contact op met RPB® voor garantieservice. Een bewijs van aankoop moet worden verstrekt om garantieservice te krijgen. Alle kosten van het terugzenden van de Producten naar RPB® voor garantieservice moeten door de koper worden betaald.

RPB® behoudt zich het recht voor om haar producten te verbeteren door wijzigingen in ontwerp of materialen aan te brengen zonder verplichtingen te hebben jegens kopers van eerder gefabriceerde Producten.

AANSPRAKELIJKHEID

RPB® Safety kan geen enkele aansprakelijkheid aanvaarden van welke aard dan ook die direct of indirect voortvloeit uit het gebruik of misbruik van RPB® Safety-producten, inclusief doeleinden waarvoor de producten niet zijn ontworpen. RPB® Safety is niet aansprakelijk voor schade, verlies of kosten als gevolg van het niet geven van advies of informatie of het geven van onjuist advies of informatie, al dan niet vanwege nalatigheid van RPB® Safety of die van zijn werknemers, agenten of onderaannemers.

RADEX AIRLINE FILTER

NOTES

A series of horizontal dotted lines for taking notes.

OTHER PRODUCTS

ISO9001
ACCREDITED COMPANY

RPB® NOVA 3® RESPIRATOR

The RPB® NOVA 3® combines breakthrough protection technology with advanced comfort and functionality, surpassing even the most rigorous industry standards and the demands of the most quality-conscious companies. Designed to optimize safety and productivity, and to minimize worker downtime, the helmet has a host of features that maximize its lifetime value.



RPB® C40™ CLIMATE CONTROL

Looking for an advanced climate control device that can heat and cool your supplied air just by the slide of a lever? Look no further than the RPB® C40™. From the searing heat of an Arizona summer to a severe Scandinavian winter the RPB® C40™ will keep you comfortable.



AIR QUALITY MONITORING

Do you need an intelligent gas monitor that can give you complete confidence in the air you and your employees are breathing? The RPB® GX4® Gas Monitor has the ability to detect up to 4 gases simultaneously, giving you total peace of mind.



MAN-21

rpb®