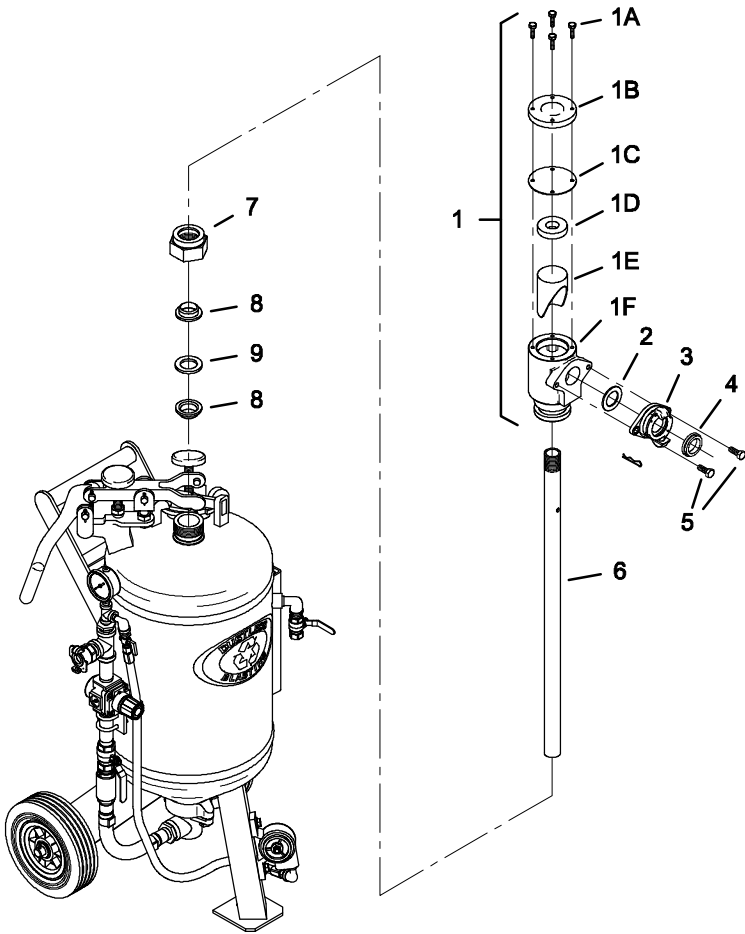
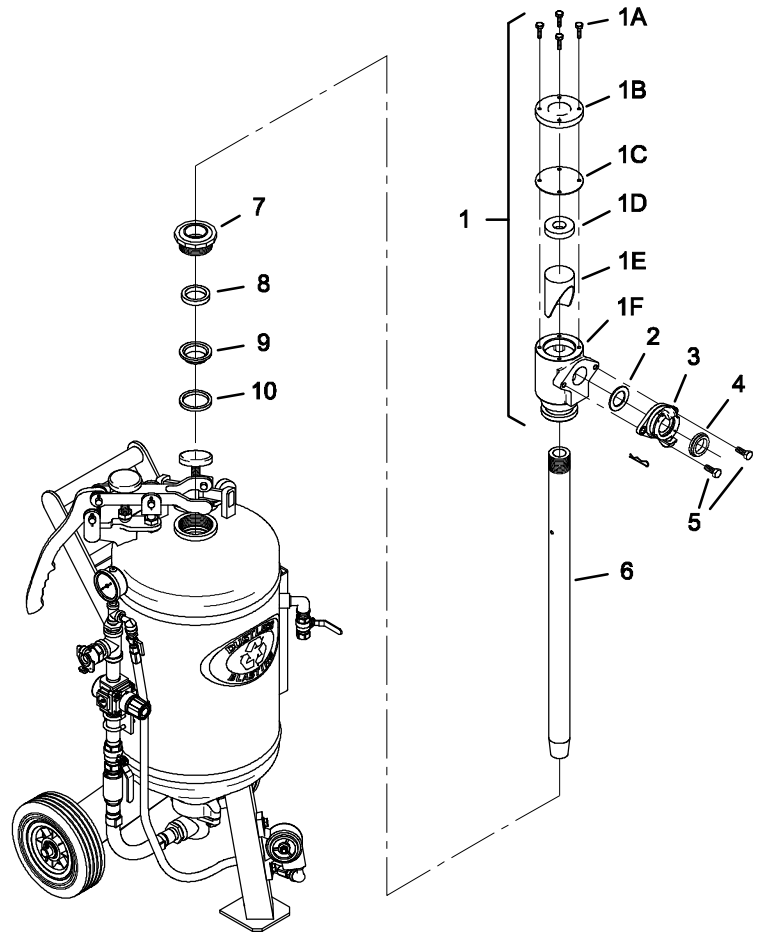


# DB-150 IDENTIFICATION



**DB-150  
DISCONTINUED**  
THREADED MALE PACKING GLAND AT TOP OF TANK



**DB-150  
CURRENT**  
THREADED FEMALE COUPLING AT TOP OF TANK

Item No.	Description	Part No.	Stock No.	Qty.
1	Outlet Elbow Assembly Complete	HC-17	72856/001	1
1A	Outlet Elbow Cap Bolts (4)	M-17-D	82563/001	1
1B	Outlet Elbow Cap	M-17-C	131054/001	1
1C	Outlet Elbow Cap Gasket	M-17-G	131227/001	1
1D	Outlet Elbow Insert Gasket	M-23-G	131147/001	1
1E	Outlet Elbow Insert	M-23	73602/001	1
1F	Outlet Elbow Body	HC-17-B	80788/001	1
2	Elbow Adapter Flat Gasket	KF-17-G	131149/001	1
3	Elbow Adapter, w/ Gasket	KF-17	80790/001	1
4	KF Series Coupling Gasket	KFG	131148/001	1
5	Elbow Adapter Bolts (2)	KF-17-B	23858/001	1
6	28" Outlet Pipe (1-5/16" O.D.)	HC-16-C	131092/001	1
7	Packing Gland Nut	AB-5	131106/001	1
8	Packing Gland Gasket	AB-5-G	131229/001	2
9	Spacer	AB-5-S	131075/001	1

NOTES:

ITEM 1F OUTLET ELBOW BODY THREADED TO RECEIVE 1-5/16" O.D. OUTLET PIPE.

Item No.	Description	Part No.	Stock No.	Qty.
1	Outlet Elbow Assembly Complete	M-17	72974/001	1
1A	Outlet Elbow Cap Bolts (4)	M-17-D	82563/001	1
1B	Outlet Elbow Cap	M-17-C	131054/001	1
1C	Outlet Elbow Cap Gasket	M-17-G	131227/001	1
1D	Outlet Elbow Insert Gasket	M-23-G	131147/001	1
1E	Outlet Elbow Insert	M-23	73602/001	1
1F	Outlet Elbow Body	M-17-B	80789/001	1
2	Elbow Adapter Flat Gasket	KF-17-G	131149/001	1
3	Elbow Adapter, w/ Gasket	KF-17	80790/001	1
4	KF Series Coupling Gasket	KFG	131148/001	1
5	Elbow Adapter Bolts (2)	KF-17-B	23858/001	1
6	28" Outlet Pipe (1-5/8" O.D.)	NS-58-OP	131092/001NS	1
7	Coupling Nut	M-5-1	131102/001	1
8	Coupling Nut Gasket	M-13	131226/001	1
9	Gasket	M-5-G	131225/001	1
10	Seal (manufactured after 5/15/13)	M-6-S	131226/002	1

NOTES:

ITEM 1F OUTLET ELBOW BODY THREADED TO RECEIVE 1-5/8" O.D. OUTLET PIPE.  
ITEM 10 SEAL MAY NOT BE REQUIRED. NOT USED IN ALL MACHINES.